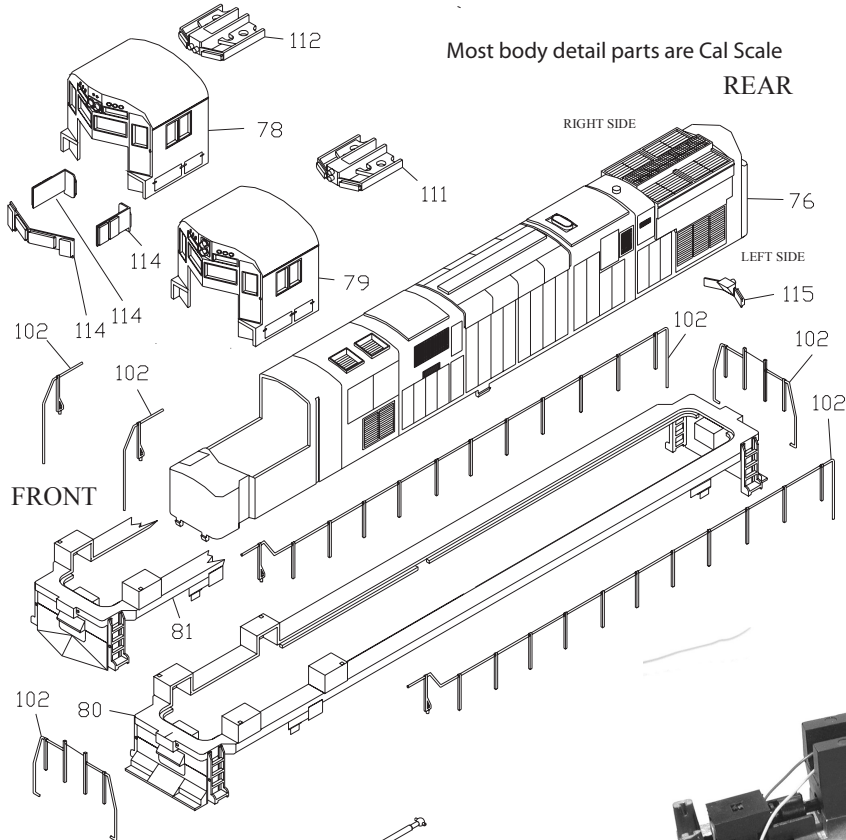


Bowser Executive Line C628



Most body detail parts are Cal Scale
REAR

Bowser Mfg

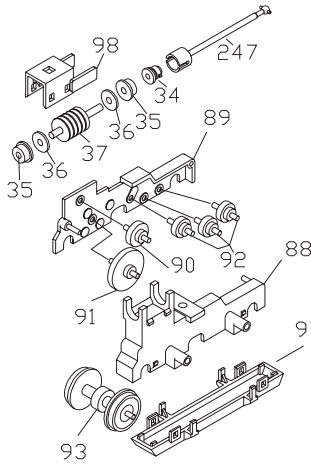
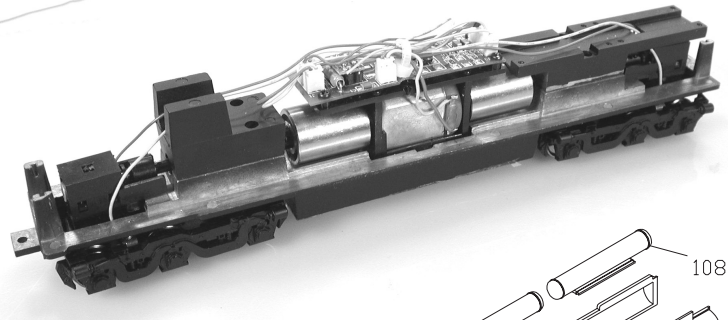
PO Box 322
1302 Jordan Ave
Montoursville PA 17754
570-368-2379

bowser@bowser-trains.com

Handrails are made from styrene
You can paint and glue with liquid cement

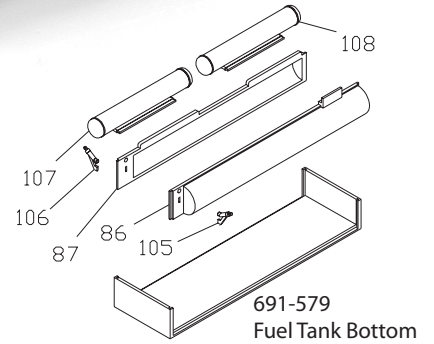
All Repair parts are unpainted

- 691-555 C-628/C-630 Diecast Frame
- 691-550 Exec Motor with Flywheels and Motor Mounts
- 691-546 PCB Board
- 691-547 Front and Rear C-628/630 light Boards



To disassemble the geared truck
Remove the bottom clip #97 first

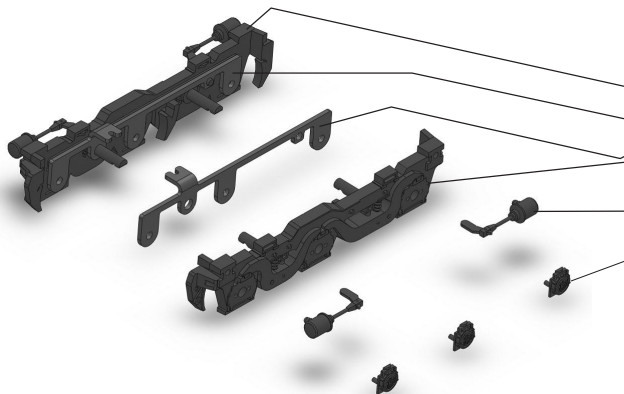
To assemble the geared truck
Install the side frames first and the
bottom clip #97 last.
Bottom clip has posts that retain the
side frames and will break if you pull
the side frame out first.



691-579
Fuel Tank Bottom

Fuel Tank C-628

Use KD #146
coupler



- 691-575 Trimount sideframe Side A (ABS)
- 691-583 Tri Mount pickup Brass Side A
- 691-576 Trimount sideframe Side B (ABS)
- 691-584 Tri Mount pickup Brass Side B
- 691-585 Tri Mount Brake Cylinders (ABS)
- 691-586 Roller Bearing Journals for Tri and Hi Ad Trucks
- 691-587 Speed Recorder Journals for Tri and Hi Ad Trucks - not shown

Truck Side frames, brake cylinders and journals are
made from styrene - they are paintable and glue
with liquid cement